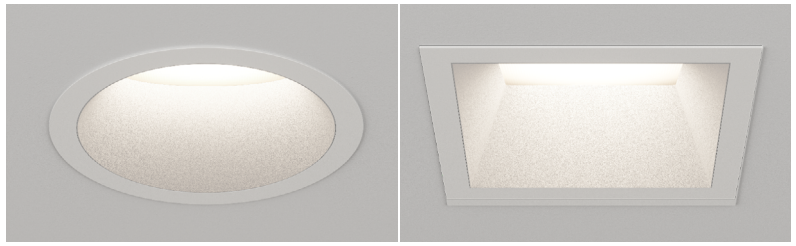


# FRAXION® 3 SLIM

## WALLWASH

Lots of light in a shallow profile featuring high performance adjustability and a range of finish and installation options.

PROJECT NAME:	TYPE:
---------------	-------



### ORDERING INFORMATION - DOWNLIGHT / HOUSING



JA8-2022 INDICATED BY SHADING

SHAPE	TRIM	RATING	TYPE	FLANGE FINISH	BAFFLE FINISH	CRI / WATTAGE PACKAGE	CCT	OPTIC	INSTALL TYPE	CEILING THICKNESS	DRIVER
F3R Round F3S Square	M Microflange T Trimless Drywall W Trimless Millwork	1 Dry/Damp 2 Wet* * [Suction cup provided for aim & focus]	W Wallwash	WH White AG Satin Silver AU Cashmere Gold BB Burnt Bronze BK Black PR Primer OO Trimless* * (Required for trimless) CF Custom Finish* * (Consult Factory)	WH White AG Satin Silver AU Cashmere Gold BB Burnt Bronze BK Black PR Primer CF Custom Finish* * (Consult Factory)	<b>STATIC WHITE</b> 80S06A 80+ CRI, 06 Watts Lumens Divd. - 629 80S11A 80+ CRI, 11 Watts Lumens Divd. - 1012 80S15A 80+ CRI, 15 Watts Lumens Divd. - 1378 80S21A 80+ CRI, 21 Watts Lumens Divd. - 1850 90S06A 90+ CRI, 6 Watts Lumens Divd. - 540 90S11A 90+ CRI, 11 Watts Lumens Divd. - 869 90S15A 90+ CRI, 15 Watts Lumens Divd. - 1184 90S21A 90+ CRI, 21 Watts Lumens Divd. - 1589 97S06A 97+ CRI, 06 Watts Lumens Divd. - 474 97S11A 97+ CRI, 11 Watts Lumens Divd. - 763 97S15A 97+ CRI, 15 Watts Lumens Divd. - 1040 97S21A 97+ CRI, 21 Watts Lumens Divd. - 1395* * (Not available for IC housings)	24 2400K* * (90+ CRI only) 27 2700K 30 3000K 35 3500K 40 4000K	WW Wallwash	<b>INTEGRAL DRIVER</b> X IC Y NIC C IC, Airtight* * (Chicago Plenum, Airtight & Title 24 compliant housing) <b>REMOTE DRIVER</b> V IC, Remote W NIC, Remote D IC, Airtight, Remote* * (Chicago Plenum, Airtight & Title 24 compliant housing)	1 0.50" - 1.375" 2 1.375" - 2.125" T 0.50" - 1.375"* * (Includes adjustable housing height bracket, recommended for any T-Grid applications)	<b>INTEGRAL / REMOTE</b> PH Forward / Reverse Phase, 2%, 120V SG eldoLED, ECOdrive 1%, 0-10V, LOG, 120V-277V SN eldoLED, ECOdrive 1%, 0-10V, LIN, 120V-277V EG eldoLED, SOLdrive 0.1% 0-10V, LOG, 120V-277V EN eldoLED, SOLdrive 0.1% 0-10V, LIN, 120V-277V ED eldoLED, SOLdrive 0.1% DALI-2, LOG, 120V-277V LP Lutron, Hi-Lume Premier Ecosystem 0.1% Fade to Black, 120V or 277V* * (Not available for 21W packages in X and C install types) AS1/ Athena Control ASR eldoLED, SOLdrive 0.1%, 120V-277V* * (Includes Athena Node. Extended lead time, consult factory. ASR includes shunt) CS1/ Casambi Control CSR eldoLED, SOLdrive 0.1%, 120V-277V* * (Includes Casambi Node. Extended lead time, consult factory. CSR includes shunt)
						<b>WARM DIM</b> 90W10A 90+ CRI, 10 Watts 90W15A 90+ CRI, 15 Watts Incandescent Profile 11W Lumens Divd. - 592 15W Lumens Divd. - 828 Halogen Profile 11W Lumens Divd. - 600 15W Lumens Divd. - 840 *SEE PAGE 3 FOR DETAILED WARM DIM PROFILE COMPARISON.	WL 2600K (11W) 2700K (15W) -1800K WD 2900K (11W) 3000K (15W) -1800K				<b>REMOTE (120V)</b> L2 Lutron, Hi-Lume 1% 2-wire <b>TUNABLE WHITE REMOTE (120-277V)</b> DG eldoLED, DUALdrive 0.1% 0-10V, LOG DN eldoLED, DUALdrive 0.1% 0-10V, LIN DD eldoLED, DUALdrive 0.1% DALI-2, LOG AD1/ Athena Control ADR eldoLED, DUALdrive, 0.1%* * (Includes Athena Node. Extended lead time, consult factory. ADR includes shunt) CD1/ Casambi Control CDR eldoLED, DUALdrive, 0.1%* * (Includes Casambi Node. Extended lead time, consult factory. CDR includes shunt)
						<b>TUNABLE WHITE</b> 90T17A 90+ CRI, 17 Watts* * (Only available for remote housings) Cool Profile Lumens Divd. - 960 Warm Profile Lumens Divd. - 966	TH 5000K - 2700K TR 4000K - 1800K				
						ALL DELIVERED LUMEN OUTPUTS AND T24 COMPLIANCE REFLECT 3000K.					



### PART NUMBER NOTES

- Housing and trim ship as e.g., F3RM1W-WHWH-90S11A2-3X1-PH\*



# FRAXION3SLIM WALLWASH

## ACCESSORIES

### REPLACEMENT OPTICS

Interchangeable optics accessible through fixture aperture.

#### Static White

**RO-50-WW-S** Wallwash optic

#### Warm Dim

**RO-50-WW-W** Wallwash optic

#### Tunable White

**RO-50-WW-T** Wallwash optic

### ALTERNATE BAFFLE ASSEMBLY (INCLUDES EFFECTS DEVICE)

ASSEMBLY	SHAPE	RATING	TYPE	BAFFLE FINISH
<b>RBA</b>			<b>W</b>	
REPLACEMENT BAFFLE ASSEMBLY	F3R Round F3S Square	1 Dry / Damp 2 Wet* <small>*Requires suction cup to service or aim &amp; focus)</small>	W Wallwash	WH White BK Black PR Primer AU Cashmere Gold AG Satin Silver BB Burnt Bronze CF Custom Finish * <small>*(Consult Factory)</small>

### T-GRID ACCESSORY KIT

Supplied with ceiling thickness "T" and recommended for installations in T-Grid up to 1.5" tall. Available for ceiling thicknesses from 0.50" - 2.125".

**TG-FX3-KIT**

### FURRING CHANNEL ACCESSORY KIT

Recommended for installations in furring channel. Available for ceiling thicknesses from 0.125" - 1.25".

**DHA-FC-KIT**

### HANGER BAR EXTENDER KIT

Extends hanger bars from 24.0" to 46.0" maximum.

**FRX-HBE-46** Extender, Hanger Bar

### EMERGENCY LIGHTING - REMOTE MOUNT ONLY

During disruption of main power, emergency battery inverter provides temporary 120V or 277V to fixture.

- EMB-S-25-120/277-LEDX** 25 watt max capacity, 120 or 277 VAC 60Hz, Non-Dimmable
- EMB-S-100-120-LEDX** 100 watt max capacity, 120 VAC 60Hz, 0-10V Dimmable
- EMB-S-100-277-LEDX** 100 watt max capacity, 277 VAC 60Hz, 0-10V Dimmable
- EMB-S-250-120/277-LEDX** 250 watt max capacity, 120 or 277 VAC 60Hz, 0-10V Dimmable

**\*SHUNT REQUIRED FOR USE WITH ATHENA AND CASAMBI CONTROLS, CONSULT FACTORY FOR DETAILS.**

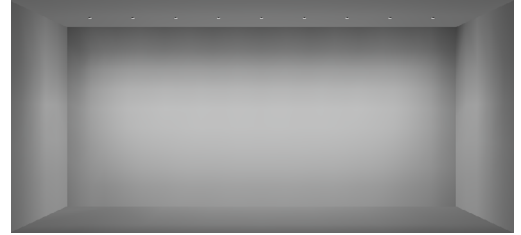
### REPLACEMENT APPLIQUÉ

- DLA-APP-F3RT** Round
- DLA-APP-F3ST** Square

# FRAXION3SLIM WALLWASH

## WALLWASH DESIGN GUIDE

### ROUND



#### RECOMMENDED

##### 30" SETBACK / 30" ON CENTER SPACING

- AVERAGE FC: 19.53
- MIN / MAX: 4.63
- 10FT CEILING SHOWN / 8-12FT IDEAL
- 9 FIXTURES / 25FT WALL SHOWN

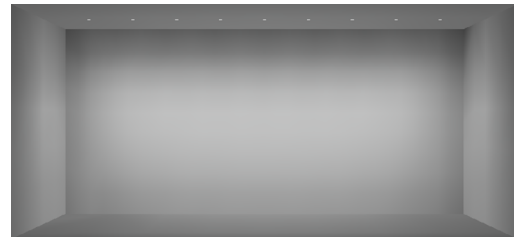
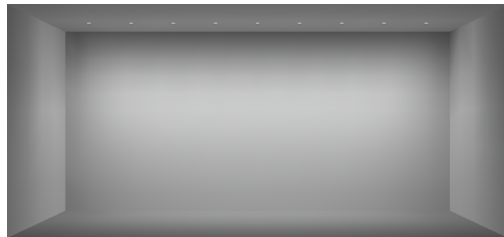
##### 36" SETBACK / 36" ON CENTER SPACING

- AVERAGE FC: 14.96
- MIN / MAX: 4.79
- 10FT CEILING SHOWN / 8-12FT IDEAL
- 9 FIXTURES / 30FT WALL SHOWN

##### 42" SETBACK / 42" SPACING ON CENTER

- AVERAGE FC: 11.82
- MIN / MAX: 6.10
- 10FT CEILING SHOWN / 8-12FT IDEAL
- 9 FIXTURES / 35FT WALL SHOWN

### SQUARE



#### RECOMMENDED

##### 30" SETBACK / 30" ON CENTER SPACING

- AVERAGE FC: 20.30
- MIN / MAX: 4.45
- 10FT CEILING SHOWN / 8-12FT IDEAL
- 9 FIXTURES / 25FT WALL SHOWN

##### 36" SETBACK / 36" ON CENTER SPACING

- AVERAGE FC: 15.59
- MIN / MAX: 4.47
- 10FT CEILING SHOWN / 8-12FT IDEAL
- 9 FIXTURES / 30FT WALL SHOWN

##### 42" SETBACK / 42" SPACING ON CENTER

- AVERAGE FC: 12.29
- MIN / MAX: 5.76
- 10FT CEILING SHOWN / 8-12FT IDEAL
- 9 FIXTURES / 35FT WALL SHOWN

### ADDITIONAL SPACINGS AND SETBACKS

ROUND			
ON CENTER SPACING	SETBACK		
	30"	36"	42"
30"	SHOWN ABOVE	AVERAGE FC: 17.71 MIN / MAX: 4.78	AVERAGE FC: 15.93 MIN / MAX: 5.19
36"	AVERAGE FC: 16.38 MIN / MAX: 4.53	SHOWN ABOVE	AVERAGE FC: 13.57 MIN / MAX: 5.20
42"	AVERAGE FC: 14.11 MIN / MAX: 5.79	AVERAGE FC: 12.90 MIN / MAX: 5.94	SHOWN ABOVE

SQUARE			
ON CENTER SPACING	SETBACK		
	30"	36"	42"
30"	SHOWN ABOVE	AVERAGE FC: 18.46 MIN / MAX: 4.45	AVERAGE FC: 16.69 MIN / MAX: 4.87
36"	AVERAGE FC: 17.03 MIN / MAX: 4.26	SHOWN ABOVE	AVERAGE FC: 14.17 MIN / MAX: 4.91
42"	AVERAGE FC: 14.69 MIN / MAX: 5.53	AVERAGE FC: 13.44 MIN / MAX: 5.47	SHOWN ABOVE

**\*ALL DATA REFLECTS 90S15A WATTAGE PACKAGE**

# FRAXION3SLIM WALLWASH

## PERFORMANCE - 3000K

LUMEN PACKAGE	WATT-AGE	WALLWASH OPTIC	
		DELIVERED	LPW
80S06A	06	629	105
80S11A	11	1012	92
80S15A	15	1378	92
80S21A	21	1850	88
90S06A	06	540	90
90S11A	11	869	79
90S15A	15	1184	79
90S21A	21	1589	76
97S06A	06	474	79
97S11A	11	763	69
97S15A	15	1040	69
97S21A	21	1395	66
90W10A (26K-18K)	10	592	59
90W10A (29K-18K)	10	600	60
90W15A (27K-18K)	15	828	56
90W15A (30K-18K)	15	840	56
90T17A (50K-27K)	17	960	56
90T17A (40K-18K)	17	966	56

### OUTPUT MULTIPLIER

CCT	CCT SCALE
2400K	0.85
2700K	0.97
3000K	1.00
3500K	1.03
4000K	1.08

### TUNABLE WHITE MULTIPLIER

CCT	5000K-2700K	4000K-1800K
5000K	1.16	-
4000K	1.08	1.14
3500K	1.04	1.07
3000K	1.00	1.00
2700K	0.96	0.92
2400K	-	0.84
1800K	-	0.69



JA8-2022 INDICATED BY SHADING

# FRACTION3SLIM WALLWASH

## WARM DIM PERFORMANCE - SOFT FOCUS LENS - WW OPTIC

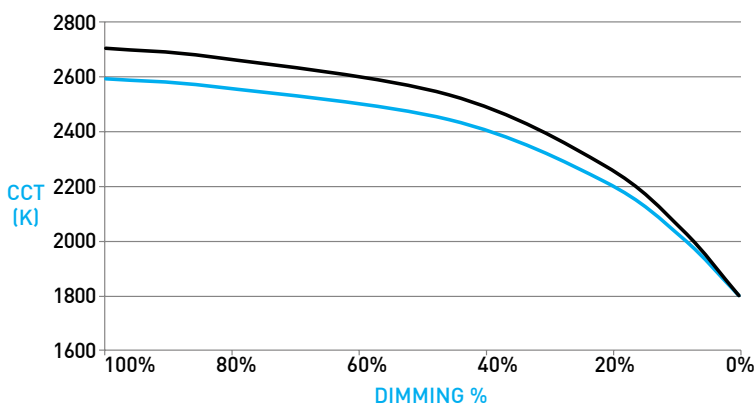
INCANDESCENT PROFILE

90W10AL 2700K - 1800K	Full on 100%	Dimmed to 80%	Dimmed to 70%	Dimmed to 50%	Dimmed to 20%	Dimmed to 10%	Dimmed to 2%
CCT (K)	2600	2550	2520	2450	2200	1925	1800
Light Output (Lm)	592	473	414	296	118	59	1
Power (W)	10	8	7	5	2	1	.2
Efficacy (LPW)	59	59	59	59	59	59	59
90W15AL 2700K - 1800K	Full on 100%	Dimmed to 80%	Dimmed to 70%	Dimmed to 50%	Dimmed to 20%	Dimmed to 10%	Dimmed to 2%
CCT (K)	2700	2650	2620	2520	2180	1950	1800
Light Output (Lm)	828	662	579	414	165	82	16
Power (W)	15	12	10.5	7.5	3	1.5	0.3
Efficacy (LPW)	56	56	56	56	56	56	56

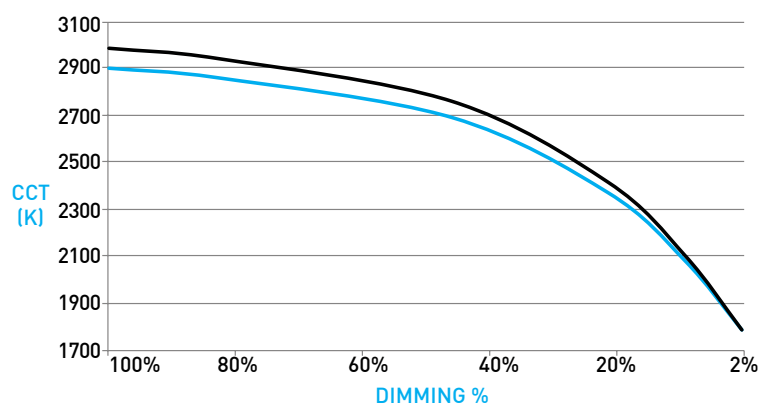
HALOGEN PROFILE

90W10AD 3000K - 1800K	Full on 100%	Dimmed to 80%	Dimmed to 70%	Dimmed to 50%	Dimmed to 20%	Dimmed to 10%	Dimmed to 2%
CCT (K)	2900	2850	2800	2720	2350	1975	1800
Light Output (Lm)	600	480	420	300	120	60	12
Power (W)	10	8	7	5	2	1	.2
Efficacy (LPW)	60	60	60	60	60	60	60
90W15AD 3000K - 1800K	Full on 100%	Dimmed to 80%	Dimmed to 70%	Dimmed to 50%	Dimmed to 20%	Dimmed to 10%	Dimmed to 2%
CCT (K)	3000	2950	2920	2775	2375	2000	1800
Light Output (Lm)	840	672	588	420	168	84	16
Power (W)	15	12	10.5	7.5	3	1.5	0.3
Efficacy (LPW)	56	56	56	56	56	56	56

10W / 15W



10W / 15W

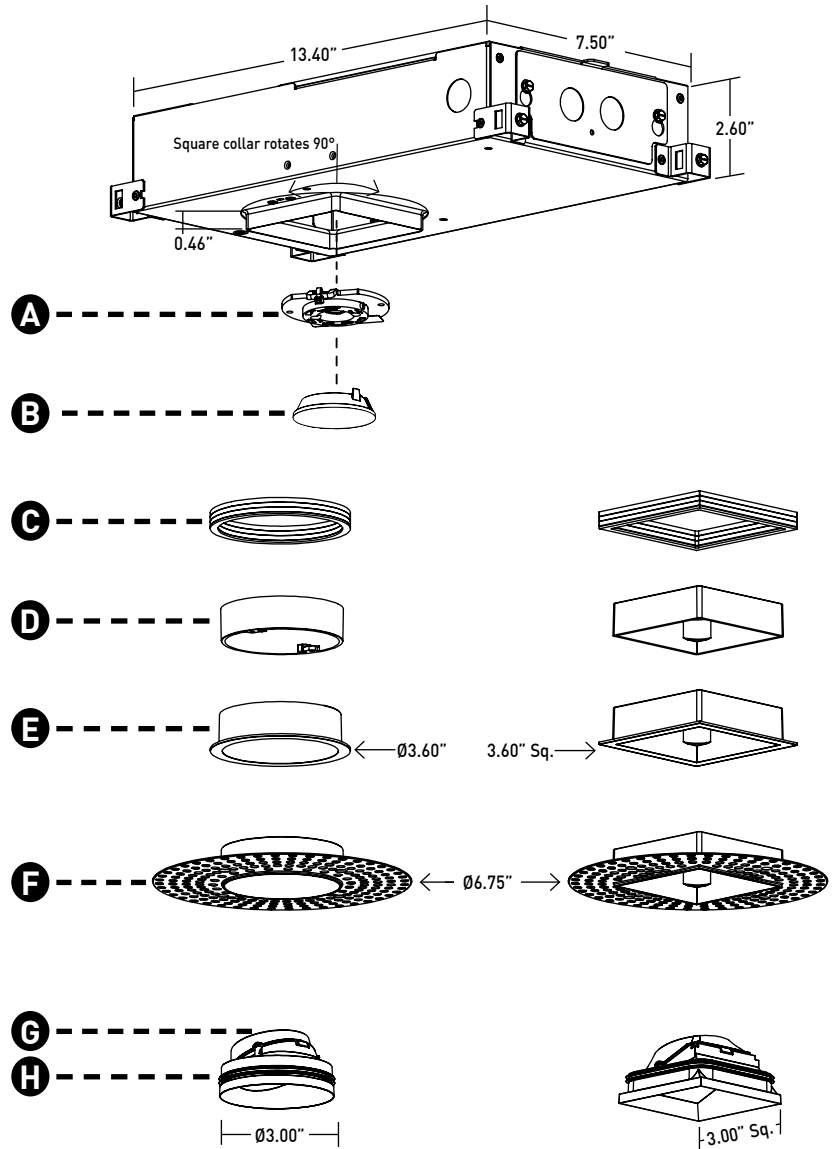


# FRAXION3SLIM WALLWASH

## DOWNLIGHT / HOUSING

- A LED**  
Integral LED module design enables field service / replacement through housing aperture.
- B OPTIC**  
Robust light engine with optimized optic pairing integrates Reflection, Refraction, and TIR principles.
- C TRIMLESS MILLWORK SPACERS**  
Provided for Trimless Millwork installations; includes (1) 1/16" spacer and (5) 1/8" spacers.
- D TRIM EXTENSION**  
Provided for -2 ceiling thickness; accommodates 2.125" max ceiling thickness.
- E MICROFLANGE PROFILE**  
Features 0.30" flange. Thickness measures 0.06". Installed after ceiling is complete. Requires 3.375" diameter cutout. Wet location features integral silicone gasket.
- F TRIMLESS DRYWALL PROFILE**  
Installs totally flush with the ceiling with no visible trim. Appliqué includes screws for mounting and has 0.06" plaster stop. Not recommended for stucco applications.
- G MEDIA**  
Asymmetrical spread lens, included and sealed in place, combined with angled optic and wide aperture enhance uniformity. Suction tool provided for removal of baffle.
- H BAFFLE**  
Die-cast baffle minimizes aperture glare and conceals view into housing; includes gasket.

## DIMENSIONS / DRAWINGS



# FRAXION3SLIM WALLWASH

## DOWNLIGHT / HOUSING

- I** **IC HOUSING**
  - For IC ceilings.
  - No setback from polycell spray foam insulation having max R-Value of 60 on all sides and top of housing.
- J** **NIC HOUSING**
  - Minimum 0.50" setback from combustible and non-combustible materials on all sides and top of housing.
  - Minimum 3.00" setback from insulation material having max R-Value 30 on all sides and top of housing.
  - Minimum 6.00" setback from polycell spray foam insulation having max R-Value 60.
- K** **ADJUSTABLE HANGER BAR HEIGHT ACCESSORY**

Provided with ceiling thickness "T" and recommended for installations in T-Grid up to 1.5" tall. Hanger bars are installed to adjustable bracket. Allows housing to be raised and lowered; ceiling thickness remains 0.5" to 1.375" max.
- L** **APPLIQUÉ DETAIL**

Appliqué for plaster floating directly to baffle.
- M** **REMOTE POWER SUPPLY**

Provided with install Types "V", "W" and "D". Remote power supply provides additional driver options. See page 8 for maximum allowable secondary run lengths between PSF3-RMT and fixture. Must be installed in an accessible location.
- N** **ATHENA / CASAMBI CONTROL**

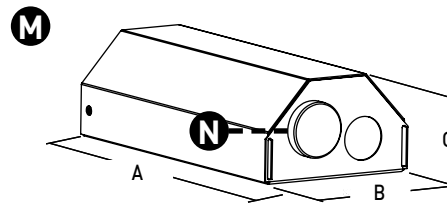
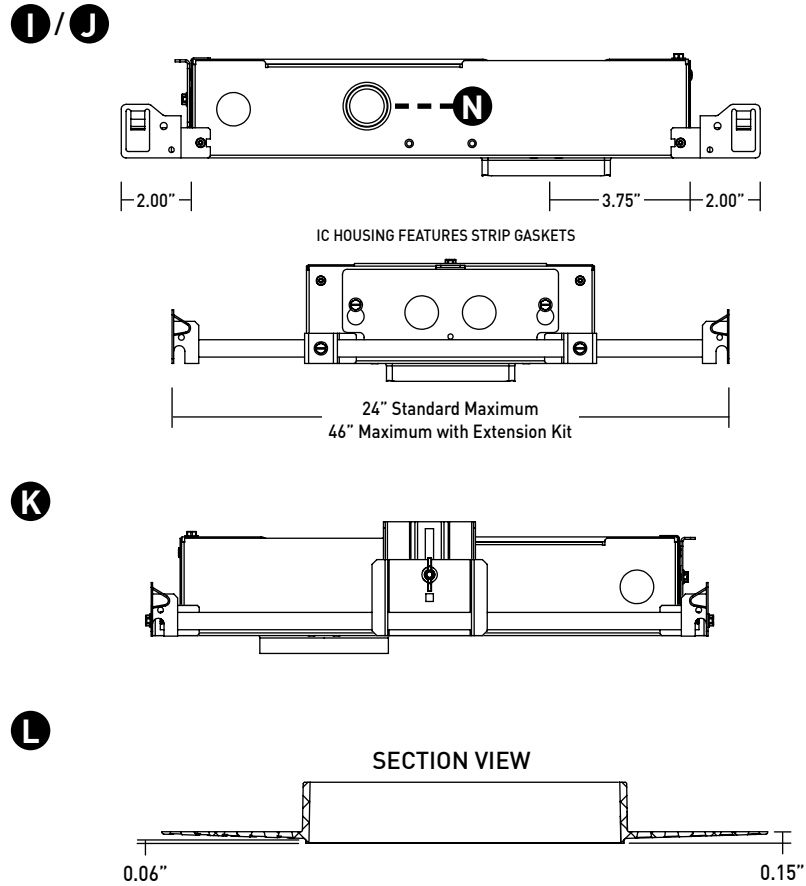
Controls integrated into housing or remote driver assembly. All equipment is serviceable.

Athena Model Numbers: A-WN-D01-RF-BL & DFC-OEM-DBI

Casambi Model Number: BT-S1E1-5400
- O** **ATHENA / CASAMBI EM SHUNT**

Included with drivers specified as ASR, ADR, CSR, or CDR. One required for each wireless EM fixture, requires class 2 control wiring between fixture and shunt. Features integrated test switch.

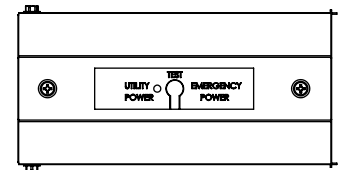
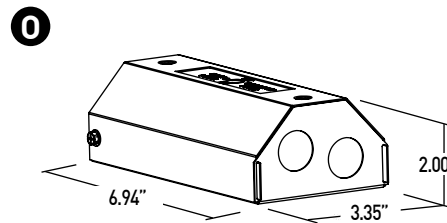
Model Number: PS-RMT-SHUNT



	A	B	C
STATIC WHITE / WARM DIM	6.94"	3.35"	2.00"
TUNABLE WHITE	8.10"	5.00"	2.00"
ATHENA / CASAMBI CONTROLLED	8.10"	5.00"	2.00"

## HOUSING NOTES

- Do not install NON-IC housings in environments where ambient temperatures exceed 40°C (104°F). See table below for IC housings.
- Power supply compartment and all splice connections may be serviced from room side.
- Consult factory for spacing requirements for any installations exceeding R-Value 60.
- Hanger bars fitted to short side of housing or long side when TG accessory is specified; extend from 14.0" to 24.0", but may be field cut to accommodate narrow stud spacing. Can be extended up to 46" maximum with FRX-HBE-46 kit.
- Hanger bars and brackets add 4.00" max to the overall dimension, but are exclusive of the setback requirements.
- Housings for round trims feature a round aperture housing collar. Housings for square trims feature a square housing collar that rotates up to 90 degrees for fixture alignment. Housing collars accommodate ceiling thicknesses between 0.50" and 2.125".



IC HOUSING MAX AMBIENT TEMPERATURE	
LUMEN PACKAGE	TEMPERATURE
06W / 11W STATIC WHITE	40°C (104°F)
10W WARM DIM	35°C (95°F)
15W STATIC WHITE	25°C (77°F)
15W WARM DIM	30°C (86°F)
17W TUNABLE WHITE	30°C (86°F)

# FRAXION3SLIM WALLWASH

## TECHNICAL

### CONSTRUCTION

**Downlight:** Painted finishes are granulated powder coat.  
**Housing:** Aluminum and 22 Gauge galvanized steel. Die-cast aluminum heat-sink.  
**Remote Power Supply:** 22 Gauge galvanized steel.  
**Appliqué:** Zinc alloy.

### STATIC WHITE LED

2-step MacAdam ellipse LED module available in 80+, 90+ and 97+ CRI configurations in color temperatures of 2700K, 3000K, 3500K and 4000K.  
 3-step MacAdam ellipse LED module available in 90+ CRI configuration in color temperature of 2400K. Average rated lamp life of 50,000 hours.  
 LED and driver assemblies are field-replaceable.

### WARM DIM LED

3-step MacAdam ellipse warm dim LED module available in 90+ CRI configuration. 3000K or 2700K at full brightness, warming to 1800K at full dim. Average rated lamp life of 50,000 hours. LED and driver assemblies are field-replaceable.

### TUNABLE WHITE LED

3-step MacAdam ellipse tunable white LED module available in 90+ CRI configuration. Features tuning ranges of 1800K to 4000K and 2700K to 5000K. Average rated lamp life of 50,000 hours. LED and driver assemblies are field-replaceable.

### POWER SUPPLY PERFORMANCE AND DIMMING INFORMATION

Power Supply	PHASE		0-10V						ECO	DALI-2		ATHENA		CASAMBI	
	PH	L2	SG	SN	EG	EN	DG	DN	LP	ED	DD	AS	AD	CS	CD
Minimum °C	-20 °C	0 °C	-20 °C	-20 °C	-20 °C	-20 °C	-20 °C	-20 °C	0 °C	-20 °C	-20 °C	0 °C	0 °C	-20 °C	-20 °C
Maximum °C	40 °C	40 °C	40 °C	40 °C	40 °C	40 °C	40 °C	40 °C	40 °C	40 °C	40 °C	40 °C	40 °C	40 °C	40 °C
Dimming %	2.0%	1.0%	1.0%	1.0%	0.1%	0.1%	0.1%	0.1%	0.1%	0.1%	0.1%	0.1%	0.1%	0.1%	0.1%

Note: For L2, LP, EG and EN drivers consult chart on page 7 to confirm appropriate dimming curve for compatibility with selected control.

### MAXIMUM ALLOWABLE REMOTE DRIVER WIRING DISTANCES

DRIVER	WIRE AWG				
	12	14	16	18	20
PH	285'	180'	113'	71'	45'
LP, L2	60'	40'	25'	15'	-
EG, EN, ED, DG, DN, DD, SG, SN, AS, CS, AD, CD	-	-	118'	72'	46'

### LISTING

cTUVus listed to UL1598 standard for Dry / Damp and Wet locations. CCEA, Airtight, and Title 24 JA8-2022 Listed. NEMA 410 Compliant.

### BUY AMERICAN ACT

All Fraxion3 Slim Wallwash configurations are Buy American Act compliant.

### DECLARE

LBC Red List Approved.

### WEIGHT

Fixture - 2.4 lbs  
 Remote Driver - 1.4 lbs

### LIMITED WARRANTY

Manufacturer's Limited Warranty guarantees product(s) listed to be free from defects in material and workmanship under normal use and service for 1-year. LED and power supplies are warranted to operate with 70% of original flux and remain within a range of 3 duv for a period of 5-years.

10-year Lutron Advantage limited warranty available on Lutron equipped systems. Warranty period begins from the date of shipment by Seller.

Consult website for full warranty terms and conditions.

### CHANGE LOG

- 10/17/2022: REMOVED 90W13A 3200K-1800K WARM DIM AND ADDED 90W15AD 3000K-1800K WARM DIM.
- 10/17/2022: UPDATED MAX AMBIENT TEMPERATURE TABLE.
- 02/14/2023: ADDED EG, EN, AND ED DRIVER OFFERINGS.
- 04/26/2023: ADDED DECLARE LBC RED LIST APPROVED.
- 08/07/2023: ADDED NEW LED AND OPTIC OFFERINGS. REMOVED 2200K OFFERING.
- 02/01/2024: ADDED ATHENA AND CASAMBI CONTROL OFFERING, 2400K, AND WARM PROFILE TUNABLE WHITE.





# FRAXION3SLIM WALLWASH

## DIMMING COMPATIBILITY

### LUTRON DRIVER COMPATIBILITY

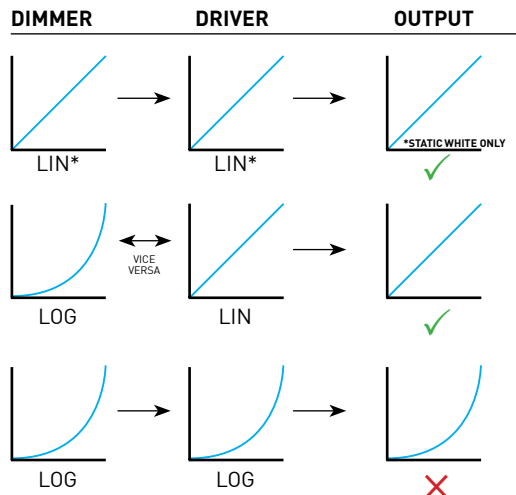
Power supply L2 Lutron Product Family	Part No.
Maestro WirelessR 600 W dimmer	MRF2-6ND-120-
Maestro WirelessR 1000 W dimmer	MRF2-10ND-120-
Caséta® Wireless Pro 1000 W dimmer	PD-10NXD-
GRAFIK T™ CL® dimmer	GT-250M- GTJ-250M-
HomeWorks® QS adaptive dimmer	HQRD-6NA-
HomeWorks® QS 600 W dimmer	HQRD-6ND-
HomeWorks® QS 1000 W dimmer	HQRD-10ND-
RadioRA® 2 adaptive dimmer	RRD-6NA-
RadioRA® 2 1000 W dimmer	RRD-10ND
myRoom™ DIN power module	MQSE-4A1-D
HomeWorks® QS DIN power module	LQSE-4A1-D
HomeWorks® QS wallbox power module	HQRJ-WPM-6D-120
HomeWorks® wallbox power module	HWI-WPM-6D-120
GRAFIK Eye® QS control unit	QSGR-, QSGRJ-
GRAFIK Eye® 3000 control unit	GRX-3100- GRX-3500-
RPM-4U module (LCP, HomeWorks® QS, GRAFIK Systems™, Quantum®)	HW-RPM-4U-120 LP-RPM-4U-120
RPM-4A module (LCP, HomeWorks® QS, GRAFIK Systems™, Quantum®)	HW-RPM-4A-120, LP-RPM-4A-120
GP dimming panels	Various
Ariadni CL 250W dimmer	AYCL-253P-
Diva CL 250W dimmer	DVCL-253P- DCSCCL-253P-
Nova T CL 250W dimmer	NTCL-250-
Power supply LP Lutron Product Family	Part No.
PowPak Dimming Modules	RMJ-EC032-DV-B
PowPak Dimming Modules	FCJ/FCJS-ECO
Energi Savr Nodes	QSN-1ECO-S
GRAFIK Eye QS control unit	QSN-2ECO-S
Homeworks QS control unit	QSGRJ- E (wireless) QSGR- E
Quantum Hub	QP2-__ 2C
Quantum Hub	QP2-__ 4C
Quantum Hub	QP2-__ 6C
Quantum Hub	QP2-__ 8C
Homeworks QS power module	LQSE-2ECO-D
myRoom Plus power module	



### eldoLED DRIVER COMPATIBILITY

Power supply EG/SG Manufacturer	Family/Model #
Busch-Jaeger	2112U-101
Jung	240-10
Leviton Lighting Controls	IP710-DLX
Lightolier Controls	ZP600FAM120
Merten	5729
Pass & Seymour	CD4FB-W
The Watt Stopper	DCLV1
Synergy	ISD BC
Crestron®	GLX-DIMFLV8
Crestron®	GLXP-DIMFLV8
Crestron®	GLPAC-DIMFLV4-*
Crestron®	GLPAC-DIMFLV8-*
Crestron®	GLPP-DIMFLVEX-PM
Crestron®	GLPP-1DIMFLV2EX-PM
Crestron®	GLPP-1DIMFLV3EX-PM
Crestron®	DIN-A08
Crestron®	DIN-4DIMFLV4
Crestron®	CLS-EXP-DIMFLV
Crestron®	CLCI-1DIMFLV2EX
Power supply EN/SN Manufacturer	Family/Model #
Lutron Electronics	Nova T® - NTFTV
Lutron Electronics	Diva® - DDTV
Lutron Electronics	Nova® - NFTV
Lutron Electronics	GraxEye® GRX-TVI w GRX3503
Lutron Electronics	Energy Savr Node™ - QSN-4T16-S
Lutron Electronics	TVM2 Module
Sensor Switch	nIO EZ
ABB	SD/S 2.16.1

### ANALOG DRIVERS AND DIMMERS



LIN = LINEAR  
LOG = LOGARITHMIC  
\*LIN-TO-LIN NOT COMPATIBLE FOR WARM-DIM